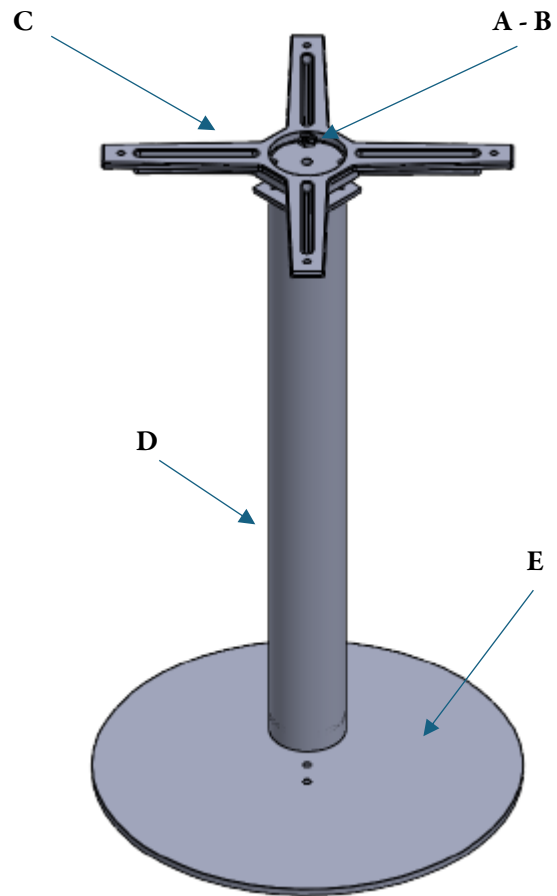


HOW TO ASSEMBLE BASE BASIC



THE CONTENT OF THE BOXES:

- N° 1 iron base thk. 10 mm (E)
- N° 1 column with welded plate (D)
- N° 1 aluminium upper cross (C)
- N° 1 threaded cord (F)
- N° 1 washer (B)
- N° 2 nuts 10 MA (A1 – A)
- N° 2 screws 6 MA
- N° 8 chipboard screws H.25

(Read the instructions before starting the assembly)

1. Screw the nut (A1) to the threaded cord (F) leaving about 5-6 mm from the top of the threaded cord.
2. Screw the threaded cord onto the base (G). It should be screwed by all the thickness of the base.
3. Block the threaded cord to the ballast with the nut previously screwed (see point 1), with the help of a spanner of 17mm.
4. Put the round column (D) on the base plate. Screw it from the base's bottom with the 2 screws M6 through the side holes already present on the base (N.B. there are 3 holes: one for the threaded cord and two at its sides for these two screws). Tighten well.
5. Insert the aluminium upper cross (C) onto the welded plate at the top of the tube. Let the central threaded cord come out for some millimeters, insert the washer (B) and the nut (A) and tighten well.*

*ATTENTION: Be sure that the column doesn't move during the blocking fase.